



Videology®

Industrial-Grade Cameras

an inTEST Company

5MP Autofocus USB 2.0 Photo-ID Camera with LED Illumination UVC Compliant

24M710AF

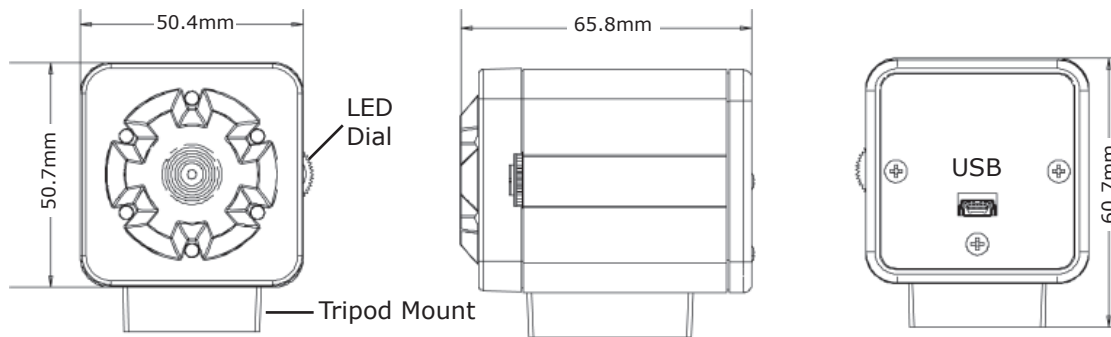
Preliminary

Product Features

- **Synchronized USB powered LED for consistent high quality images in any environment**
- 5MP UVC Camera
- Separate formats supported for streaming video and still image capture
- Both Compressed (MJPEG) and Raw video outputs supported
- Tripod 1/4-20 mount is attached to base
- USB 2, UVC compliant
Convenient manual dial allows customized LED intensity (white LEDs)
 - 24M710AF LEDs Flash, optimized for still image capture
 - 24M710AF-1 LEDs always ON, optimized for video streaming
- Microphone for acoustic port



Included:
60C1147 USB 2.0 A to mini B cable
(10ft. long)



Technical Specifications

Electrical	24M710AF
Image Sensor Size	1/4" CMOS 5MP UVC
Image Area	3.673mm x 2.738mm
Pixel Size	1.4µm x 1.4µm
Resolution/ Frame Rate	2592x1944 15fps, 1920x1080 30fps, 1280x720 30fps, 640x480 30fps
Video Compression	MJPEG
Sensitivity	5100 e-/lux sec.
Dynamic Range	68dB
Signal to Noise Ratio	36dB
Shutter Mode	Electronic rolling shutter
Scan Mode	Progressive Scan
Lens	3.128 mm/F 2.8 (M6 x P0.35) (5MP Auto focus)
Field of View (D x H x V)	70° x 60° x 46°
Video Output	USB 2.0 UVC
Power Supply	5VDC via USB 2.0 bus
Power Consumption	750mA

UVC Controls

Still Capture	Selectable
Exposure	Auto/ Manual
Focus	Auto/ Manual
White Balance	Auto/ Manual
Controllable via UVC interface	Brightness, Contrast, Hue, Saturation, Sharpness, Gamma, BLC

Software

SFT-15003	Videology demo viewer
Recommended System Requirements	
Hardware	Requires USB 2.0 UVC compliant ports
Software	Windows OS 32 bit and 64 bit
	Linux 2.6.26+ <i>potential</i>
	Mac OS 10.4.3 <i>potential</i>

Environmental

Operating Temperature	-15°C - 55°C (5°F - 131°F)
Storage Temperature	-25°C - 70° (-13°F - 158°F)
Operating Humidity	20% - 93% RH (non condensing)
Storage Humidity	Up to 98% RH (non condensing)

Mechanical

Dimensions W x H x D	50.4mm x 60.7mm x 65.8mm (with mount)
Weight	154g
Included Cables	60C1147 - USB 2.0 A to mini B cable (10ft.)
Included Tripod Mount	1/4-20 mount for easy mounting capability

Ordering Information

24M710AF	LEDs Flash, optimized for still image capture
24M710AF-1	LEDs always ON, optimized for video streaming

www.videologyinc.com

HEADQUARTERS LOCATION

Videology Industrial-Grade Cameras
35 Hampden Road
Mansfield, MA 02048 | United States

EUROPE LOCATION

Videology Industrial-Grade Cameras
High Tech Campus 5
5656 AE Eindhoven | The Netherlands



Excellence.
Every day. Every time.